

Project :

Date :

Cat. No. :

Type :

Notes :

Volts :

FEATURES:

- Input Range From 120Vac \pm 6%
- Operates with industry Standard Dimmers, Triac & Electronic Low Voltage Dimmers
- With Power Factor Correction function: PF >0.9
- Compact, lightweight in plastic case.
- Designed for indoor application.
- Tc Point measured, Max case temperature: 70°C
- Protections: Short-Circuit / Over Load / Over Heat and Auto-recovery Mode

- RoHS Compliant

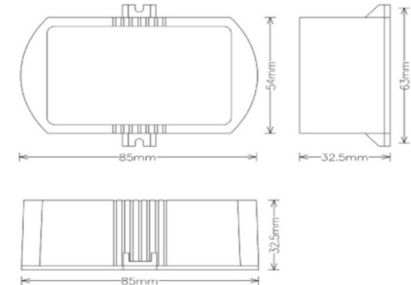
Safety Approval



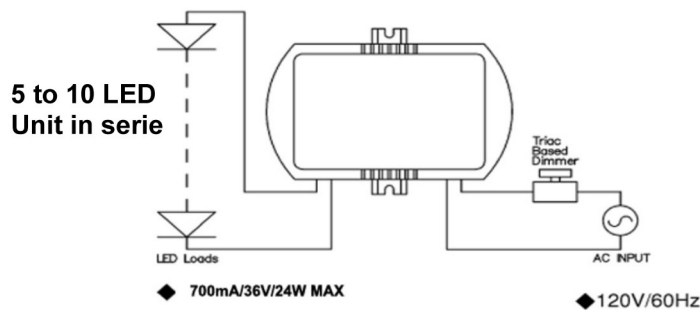
SPECIFICATION

| Model No. | | NTLD7036-24W-DIM |
|-----------------|--------------------------------|--|
| Primary | Voltage Range (VAC) | 120 Vac \pm 6% |
| | Frequency Range (Hz) | 60 Hz |
| | AC Current | 0.24A@115VAC |
| | THD(Total Harmonic Distortion) | Less than 20% at full load |
| | Max. Inrush Current | < 20A |
| | Leakage Current | <1mA / 120 Vac |
| | Available Dimmers | <ul style="list-style-type: none"> ◆ Standard Light Switches ◆ Triac based Incandescent Dimmers (Standard phase - leading edge) ◆ Electronic Low Voltage Dimmers (Reverse Phase - trailing edge) |
| Secondary | Voltage Range (VDC) | 16-36 Vdc |
| | Ripple & Noise (max.) | 3Vp-p |
| | Rated Current Range (mA) | 700mA \pm 6% |
| | Rated Power (W) | 24W Max |
| | Efficiency (Typ.) | 82.5% |
| Environment | Hold up time | Half cycle minimum at 120VAC and 80% of rated. |
| | Operating Temp. | -20°C ~ +70°C full load . |
| | Operating Humidity | 20% ~ 95% RH non-condensing. |
| | Storage Temp. / Humidity | -20 ~ +80°C / 10% ~ 95% RH |
| | Ambient Temp. | 25°C at 120Vac |
| | Vibration Frequency | 5 to 50 HZ |
| Safety Approval | MTBF | >100,000 Hours at full load and 25°C ambient conditions(MIL-HDBK-217F) |
| | Safety Standards | UL, cUL 1310 Class 2 FCC PART15 CLASS B |

Mechanical Dimension: 85Lx54Wx32.5H mm



Wiring Diagram



1. AC-Dimm series, a new AC/DC LED driver that operate directly from AC line dimmer and provide an isolated, Class 2 low voltage constant current to properly drive the LED luminaires.
2. Lamps must be wired in series, and total value of Vf should be under rated DC Voltage.
3. Disconnect the mains supply before installing, Do not turn on/off from output port.
4. Parameter measured at full load 25°C ambient temperature.

*****MAKE SURE ALL LED ARE PLUGGED BEFORE SWITCH ON *****

****** MAKE SURE TO MEET THE REQUIRED VOLTAGE LOAD (16 to 36Vdc voltage range)******

Natech Industrie

3154 boulevard Industriel, Laval, QC, H7L 4P7 T: (450) 629-1169, F: (450) 629-1168, www.natechlighting.com, info@natechlighting.com

This specification is valid as of 2014-08-11 and is subject to change without notice. Please confirm with the manufacturer before placing an order.
Copyright 2014 Natech Industrie. All rights reserved.