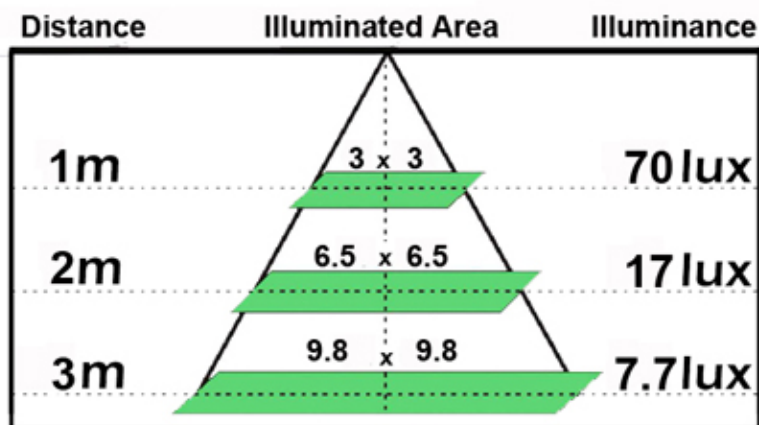
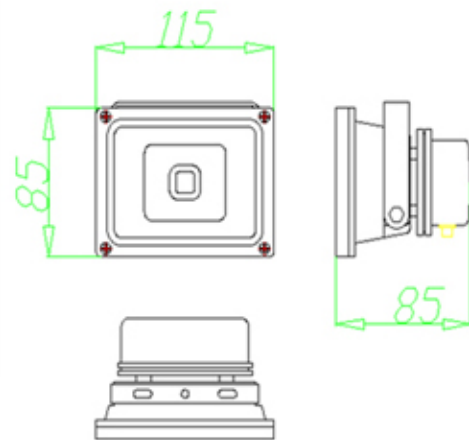
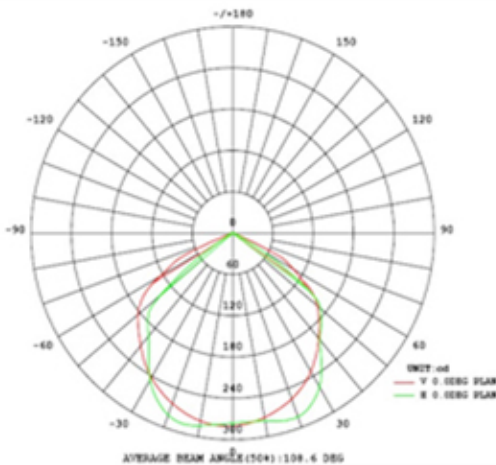




# NTTLC-10W

**Input Voltage: 100V-240VAC, 50/60HZ**  
**Led Power Consumption: 1 x 10W**  
**System Power Consumption: 13W**  
**Lamp's Efficiency: >0.85**  
**Illuminance Uniformity: >0.6**  
**IP 65**

**LED LIFETIME >50,000hrs**



PART NUMBER	COLOR	TEMP	LUMEN
NTTLC-10W-WW	WARM WHITE	2700-3300K	800LM
NTTLC-10W-NW	PURE WHITE	4500-5000K	820LM
NTTLC-10W-WH	WHITE	6000-7000K	850LM